



CT Series

H-Frame Dual and Quad ballscrew design-High Capacity-Programmable Tension and Compression Testers
Includes new HS Technology. (High Speed/high resolution)

Model	Load Capacity		Load Resolution		Load Accuracy at 0.5% of Range		Standard Stroke		Stroke Resolution		Platen Diameter		Speed		# Ball Screws
	Lbf	N	Lbf	N	±lbf	±N	in	mm	in	mm	in	mm	in/sec	mm/sec	
CT-10000	2243	10000	0.04	0.2	0.06	0.25	40	1000	0.0000039	0.0001	8	200	1.969	50	Dual
CT-20000	4485	20000	0.09	0.4	0.11	0.5	40	1000	0.0000039	0.0001	8	200	1.969	50	Dual
CT-30000	6728	30000	0.13	0.6	0.17	0.75	40	1000	0.0000039	0.0001	8	200	1.969	50	Dual
CT-50000	11213	50000	0.22	1	0.28	1.25	40	1000	0.000002	0.00005	16	400	1.969	50	Quad
CT-50000SP	11213	50000	0.22	1	0.28	1.25	40	1000	0.000002	0.00005	8	200	1.969	50	Dual
CT-100000	22426	100000	0.45	2	0.56	2.5	40	1000	0.000001	0.000025	16	400	0.984	25	Quad
CT-200000	44852	200000	0.9	4	1.12	5	40	1000	0.0000006	0.000015	16	400	0.591	15	Quad

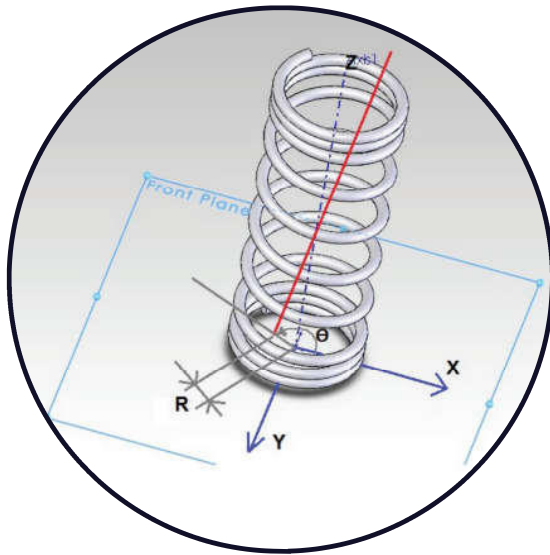
CT SERIES MEET AND EXCEED THE FOLLOWING STANDARDS: ISO 7500/1 CLASS 0.5, ASTM E4

- »»»» Three Loadcell extreme Offset Capability is standard in CT-50000, CT-100000 and CT-200000 Testers, Optional for the others
- »»»» Optional Increased Stroke to 1500mm on all models
- »»»» Optional LVA Module Available



Optional Electric Conductivity Frelength Module Available on all models

The LVA Module (LOAD VECTOR ANALYSES) is an optional feature for all CT Series H Frame models



CT - 50000

CT - 100000

CT - 200000

LVA Module measures and displays the resultant force magnitude and its vector direction including in-plane loading and its vector pierce point position

